



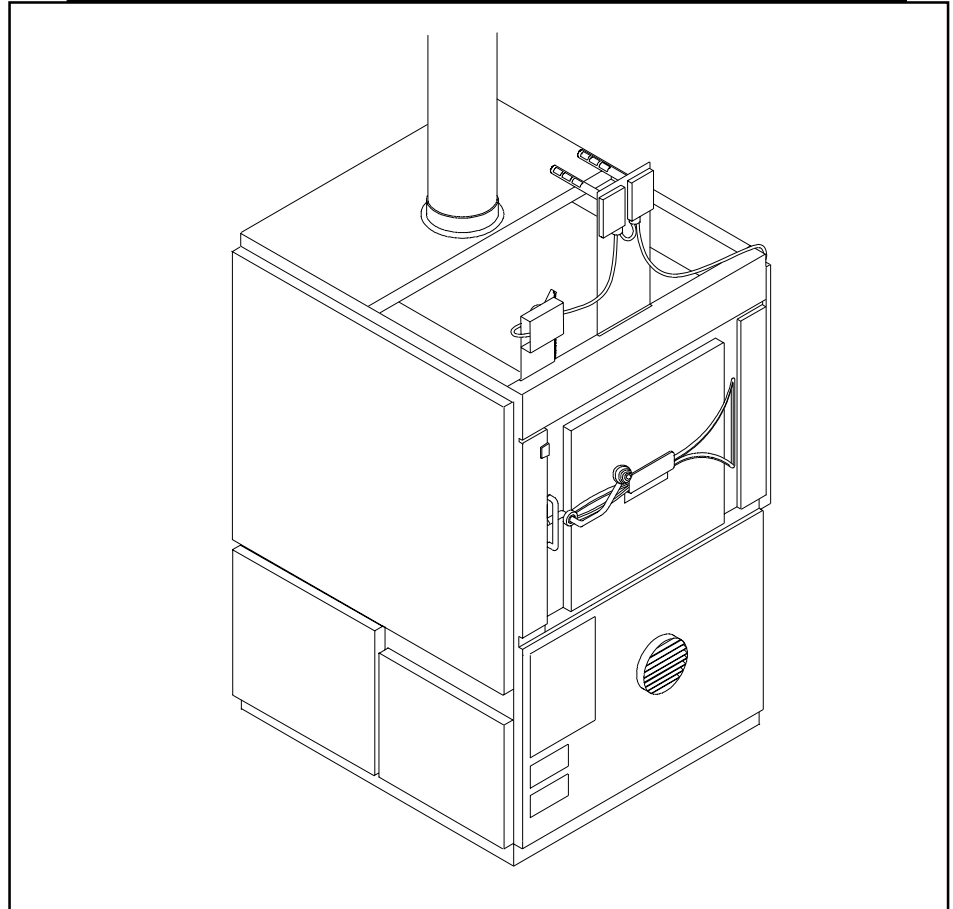
Box 3637, Smithers, BC V0J 2N0

FORCED AIR WOOD FURNACE

F75R and F101

INSTALLATION AND OPERATION INSTRUCTION MANUAL

***PLEASE
KEEP THESE
INSTRUCTIONS
FOR FUTURE
REFERENCE***



Operation

Maintenance

Installation

Dear Customer,

You have purchased one of the finest wood burning heating systems in North America.

You will find that your Ardent Energy furnace will operate much differently than the old fashioned fireboxes of the past. You will experience a new level of heating comfort and convenience, with greater control, longer burn times and reduced creosote deposits.

Please take the time to become familiar with your Ardent Energy heating system. Study your manual carefully before you begin installing or operating your furnace. Keep the manual handy for future reference.

If you would like to add optional equipment to your furnace, make sure that you have the serial number of your furnace when you visit your Ardent Energy dealer. This will help us give you prompt and accurate service.

We at Ardent Energy congratulate you on your choice of wood furnaces, and are confident that you have purchased a product that is simply, the best.

Ardent Energy Inc

J G (Hans) Duerichen PEng
President
April 1999 (ver 3)

Table of Contents

3	Safety	8	Electrical Components
3	Creosote	8	Installation As An Add-on to An Oil or Gas Furnace
4	Furnace Specifications		Installation As An Add-on to An Electric Furnace
4	OPERATION INSTRUCTIONS	9	FURNACE OPTIONS
4	Fuel		Water Heating Coil
4	Bypass Damper	10	Connecting the Coil to the Tank
3	Lighting	10	Draining and Cleaning When You Have No Water
4	The First Fire	10	Paint
5	Wall Thermostat Operation	10	Replacement Parts - F75R
5	Refuelling	10	Replacement Parts - F101
5	Operation if the Power Fails	11	Warranty
5	FURNACE MAINTENANCE	12	
5	Daily	13	
5	As Needed	14	
5	Ash Removal		
6	If You Have an Oil Add-on		
6	Door		
6	Draft Control		
6	Firebrick		
6	FURNACE INSTALLATION		
6	Chimney Connection		
6	Chimney Size		
6	Chimney Termination		
6	Floor Protection		
7	Duct Work		
7	Installation As A Forced Air Wood Furnace		
7	Assembly		

SAFETY

WARNING: If this furnace is not properly installed, a house fire may result. For your safety, follow the installation directions. Contact local building or fire officials about restrictions and installation requirements in your area.

NOTE: We strongly recommend installers to be WETT or WHERF certified.

To ANYONE using this furnace:

These DO's and DO NOT's are for your safety.

1. DO read this instruction manual before lighting your first fire.
2. DO burn seasoned wood fuel only. DO NOT burn:
 - driftwood (salt corrosion is not a warranty item)
 - treated wood
 - coal
 - garbage
 - plastic

Also DO NOT use construction scraps (e.g., 2x4 or plywood scraps) as your only supply of fuel, as you may overheat and seriously damage the furnace.

3. DO NOT use gasoline type lantern fuel, kerosene, charcoal lighter fluid or similar liquids to start or freshen up the fire in this furnace. Keep all such liquids well away from the furnace while it is in use.

4. DO keep the furnace door shut at all times when a fire is burning. Open the door only to load or check the fire.

5. When checking or loading wood into the fire, DO pull open the bypass lever first, then open the door very slowly.

6. DO keep all combustible materials (firewood, shoes etc.) at least 18 inches away from the furnace.

7. Do not use a grate or elevate the fire.

CREOSOTE

When wood is burned slowly, it produces tar and other organic vapours, which combine with expelled moisture to form creosote. The creosote vapours condense in the relatively cool chimney flue of a slow burning fire. As a result, creosote residue accumulates in the flue lining. When ignited, this creosote makes an extremely hot fire.

A chimney fire occurs when creosote in the chimney ignites, usually when the furnace is turned up high after a period of low burn.

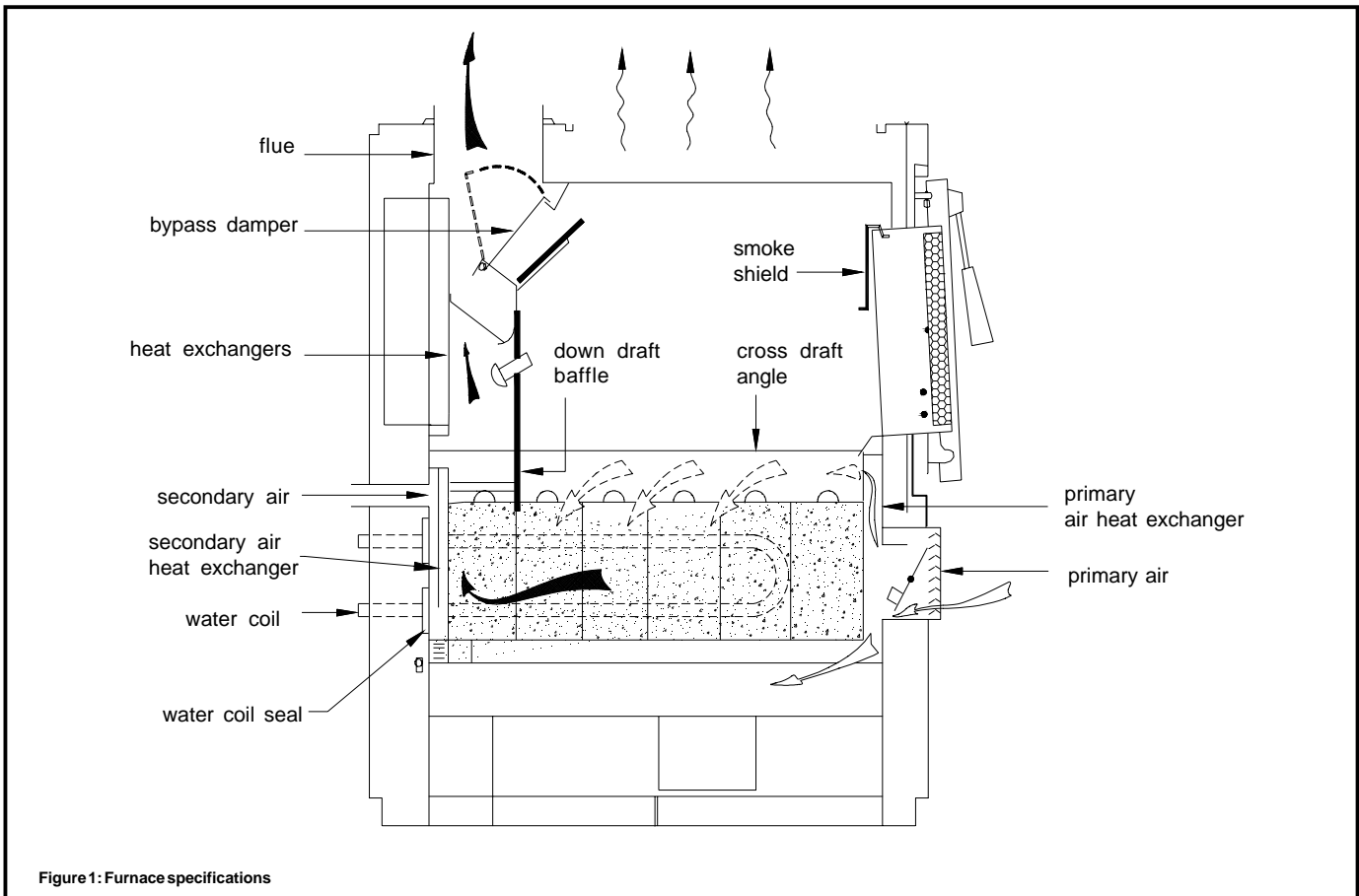


Figure 1: Furnace specifications

The chimney should be inspected periodically during the heating season to see if a creosote build-up has occurred. If a significant layer of creosote has accumulated (1/4" or more), it should be removed to reduce the risk of chimney fire. Running the furnace at maximum with the bypass pulled out for 1 to 2 hours about once a week will minimize creosote buildup.

In the event of an uncontrolled chimney fire, shut the bypass damper and turn down the thermostat.

If the chimney fire does not die down, keep watch on the fire and prepare to vacate the house. If needed, call the fire department.

NOTE: Establish a routine for the storage of fuel, care of the furnace and firing technique. Be aware that during mild weather and low furnace temperatures, more creosote is deposited and more frequent cleaning is necessary.

HINT: To avoid creosote build-up especially in mild weather, fill the furnace only part way. Also, well seasoned, unchopped wood will reduce creosote build-up dramatically.

FURNACE SPECIFICATIONS

- Type of fuel - Wood, any species
- Combustion system - Downfeed progressive cross-draft design with a constant pre-heated secondary air system
- Temperature control - Standard wall thermostat with manual bi-metallic control during power failure
- Firebox lining - Firebrick: 1 1/4" x 4 1/2" x 9" std.
- Body - Steel: 12 ga, 10 ga & 5/16"
- Doors - Constant centre push design with fibreglass rope seal

Wood Burning Module No.	F75R	F101
Rating.....(KW)..	~1400 - 20000	~1400 - 27000
(BTU/hr).	~5000 - 75000	~5000 - 100000
Size.....(mm)...	710W x 965L x 1090 H	760W x 1140L x 1180H
(in.).....	28W x 38L x 43H	30W x 45L x 46 1/2 H
Weight.....	227 kg 500 lbs	295 kg 650 lbs
Fuel capacity.....	140 litres 5 cu. ft.	250 litres 9 cu. ft.
Max. fuel size.....	250 mm dia. x 500 mm long 10" dia. x 20 " long	300 mm dia. x 600 mm long 12" dia. x 24" long
Flue outlet.....	178 mm dia. 7" dia.	203 mm dia. 8" dia.
Cold air inlet size.....	305 mm x 460 mm 12" x 18 "	305 mm x 460 mm 12" x 18"
Hot air outlet size....	445 mm x 680 mm 18" x 26 3/4"	625 mm x 730 mm 24 1/2" x 28 3/4"

OPERATION INSTRUCTIONS

The following operating instructions **must be followed carefully** for satisfactory operation.

FUEL

Fuel wood can be of any species. However, ensure that the wood is well seasoned and kept under cover. Do not burn any fuel other than wood. Please note that if you use green wood:

- The amount of wood that you use will increase around 20% when using green compared to dry wood.
- Heat output will be considerably lower and more frequent fuelling will be necessary.
- Green wood must be cut into smaller pieces to burn acceptably.
- Creosote formation may increase, especially in warm weather.
- The fire will most likely have to be started with dry wood until a good bed of coals is formed.

BYPASS DAMPER

When the bypass damper is open (i.e. the bypass rod is pulled out) combustion will take place within the entire firebox. Operate the furnace with the bypass damper open only when you need quick heat.

- When the desired temperature has been reached, push the bypass rod in.
- Whenever there is a fire burning, the bypass damper should be open for 30 seconds before you **slowly** open the door.
- When you are starting a fire, the bypass damper should be open to vent away smoke.
- The furnace door must be closed at all times, except when you are loading fuel or checking the fire.

LIGHTING

Light a fire in the furnace, starting with paper and kindling only. Never use any flammable liquids. After the fire is lit, leave the door open a crack for a few minutes. Once a coal bed is established, add standard cord wood and latch the door shut.

THE FIRST FIRE

You will experience a slow start-up during the first fire. The firebricks bricks still contain moisture and take a good hot fire to eliminate the moisture. While there is moisture in the bricks, the bricks will be black with smoke deposits. When the moisture is gone, the bricks will be light coloured. You may also experience a slight odour during the first few fires. This odour results from the curing paint and the burn-off of residual oils.

WALL THERMOSTAT OPERATION

Set the thermostat to the temperature desired. When the furnace is warming up a cold room, there will be an initial temperature overrun, then the temperature will stabilize.

REFUELLING

1. Have wood on hand to load the firebox.
2. Open the bypass damper for 30 seconds
3. Open the door **slowly**. Allow the chimney to draw off smoke.
4. Load as much wood as you need (right up to the top in cold weather).
5. Close the door and push in the bypass damper.

NOTE: Do not over-fire the furnace by leaving the door open. The door should be open only when you light and check the fire. Operation with the door ajar voids the warranty.

**OPERATION IF THE POWER FAILS
(NOT FOR USE IN FURNACES WITH DOWNFLOW DUCTING)**

1. Open the panel opposite to the air inlet to the wood section to allow for air circulation.
2. Open all floor registers.
3. Adjust the draft manually by pulling up the chain just below the damper motor lever, and placing it into the small

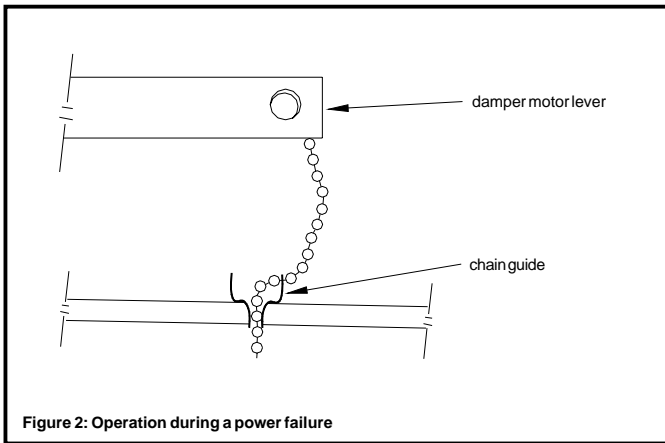


Figure 2: Operation during a power failure

slot beside the chain guide (see Figure 2)

Do not expect as much heat in cold weather, because duct work is not designed for heating without a blower. When power is restored, the damper motor will automatically pull the chain off the slot and resume normal operation.

NOTE: The chain guide must be "clipped" by installers if the furnace is installed to heat areas below the furnace.

FURNACE MAINTENANCE

DAILY

For the first little while, check the chimney and pipe until experience shows how often cleaning is necessary. About once a week, run the furnace at maximum with the bypass open for one to two hours to burn off any creosote in the chimney and pipes. This should greatly reduce how often you will need to clean the chimney with a brush.

AS NEEDED

Any creosote build-up in the chimney and pipe over 6 mm (1/4") should be removed with a brush. Make sure that the **bypass is open** before you begin cleaning the chimney.

ASH REMOVAL

Ashes should be removed once they reach a depth of 100 mm (4") maximum. Let the fire burn out. Protect the area in front of the furnace with a non-combustible material. Shovel the ashes into a **metal container** with a tight fitting lid. Other waste should not be put in this container.

The closed container of ashes should be placed outside on a non-combustible surface, or on the ground, well away from any combustible materials. If the ashes are disposed of by burial or otherwise locally dispersed, they should be retained in the closed container until you are sure that all of the cinders have thoroughly cooled.

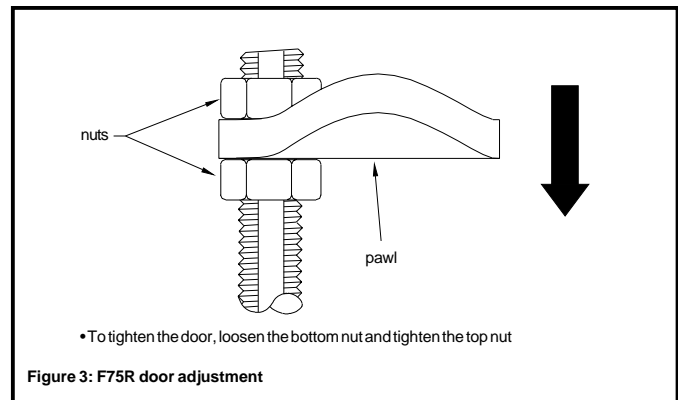


Figure 3: F75R door adjustment

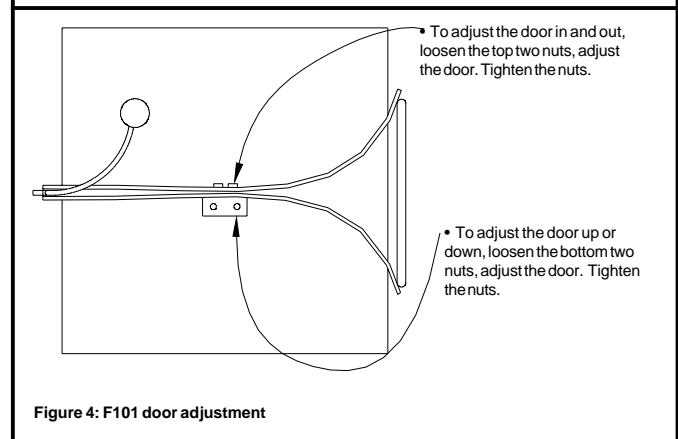


Figure 4: F101 door adjustment

IF YOU HAVE AN OIL ADD-ON

Operate the oil fired unit periodically to ensure that it will operate satisfactorily when you would like to use it.

DOOR

The door is a unique adjustable centre-push design to ensure trouble-free, air tight operation for years to come. When you close the door, there should be a slight resistance. If there is not, the door needs adjusting. The door pawl (the catch on the closing mechanism) should be lubricated regularly with a high temperature grease, so the door opens and closes easily.

If the fibreglass seal shows signs of excessive wear, it may not seal properly, and cause the furnace to burn hotter than desired. Replace it with a gasket replacement kit (part # FDGRK5)

DRAFT CONTROL

Check that the draft control opens and closes freely. If it does not, open the front left panel and make sure the chain is not binding.

FIREBRICK

Take care when you are refuelling the furnace to avoid breaking the brick. If you are burning wood with chunks of ice and/or snow, do not let the frozen surfaces touch the firebrick. If any firebrick breaks, replace it immediately in order to avoid overheating the firebox.

FURNACE INSTALLATION

The F75R and F101 furnaces may be installed as follows:

1. As a stand-alone wood furnace with blower.
2. As an add-on to a stand-alone oil, gas or electric furnace.

WARNING: These furnaces are not certified for use with an automatic stoker.

CHIMNEY CONNECTION

The furnace must be installed with a minimum of elbows and horizontal flue pipe. All horizontal pipe must slope towards the furnace and be installed with the seam up. The flue opening on top of the furnace is designed so the pipe will fit inside the opening. Make all connections in such a way that any condensation in the flue runs back into the furnace and not on to the floor. After installing the pipe, each joint must be secured with 3 screws spaced evenly around the joint. All single wall stove pipe must have a 460 mm (18") clearance from all unprotected combustible material.

CAUTION: Under no circumstance is any type of damper or restriction to be installed in the connection between the furnace and the chimney. A barometric draft control must be installed and set at 15 PA (0.06") draft. Removal or non-installation of the barometric damper voids the warranty.

CHIMNEY SIZE

F75R

178 mm (7") round or

Minimum Flue Height Requirements	
elevation	minimum flue height
0 to 2000 ft.	12 ft.
2000 to 3000 ft.	13 ft.
3000 to 4000 ft.	14 ft.
4000 to 6000 ft.	15 ft.
6000 to 8000 ft.	16 ft.
8000 to 10 000 ft.	17 ft.

150mm x 250 mm (6" x 10") inside measure

F101

203 mm (8") round or

150mm x 250 mm (6" x 10") inside measure

NOTE: (In U.S.A. only) You may not connect this furnace to a chimney flue serving another appliance.

ARDENT Energy furnaces burn very efficiently, resulting in lower than usual flue gas temperatures. Consequently, we do not recommend an outside installation of the chimney. If you have an exterior chimney, certain weather conditions will cool the chimney below room temperature. When this happens, a back draft and/or creosote formation will occur.

If you are using an existing chimney, it must be inspected carefully for soundness and to be sure that the preceding requirements are met.

Note: Optimum performance for these furnaces are obtained with a draft of between 0.06" and 0.07" (Water Column). After the installation is complete, the draft must be checked by your dealer, using a draft gauge while the furnace is operating at a normal temperature.

CHIMNEY TERMINATION

Chimneys are required to extend at least 915 mm (3 ft.) above the highest point where they pass through the roof of the building and at least 610 mm (2 ft.) higher than any portion within 10 feet.

In some cases, the chimney must be higher than the minimum for proper draft, due to unfavourable geometry of surroundings.

FLOOR PROTECTION

If the floor is combustible, it must be protected by 7 mm (9/32") or thicker of noncombustible material extending 150 mm (6") from the sides and rear, and 460 mm (18") from the front.

DUCTWORK

Minimum sizes:

F75R

Return air: 1520 sq. cm (220 sq. in)
Supply air: 1290 sq. cm (200 sq. in)

F101

Return air: 1610 sq. cm (250 sq. in)
Supply air: 1420 sq. cm (220 sq. in)

NOTE: The height of the return air inlet must not be higher than the warm air registers. A fresh air duct must be installed into the return air system (the recommended size is 8" diameter).

INSTALLATION AS A FORCED AIR WOOD FURNACE

Be sure that you have the following:

- Wood furnace module # F75R or F101
- Blower - Delhi model 210 or Lau DUA10
- Motor - 1/3 HP, 1800 RPM, 110 V 60 Hz
- Connecting duct model FCADB
- Control kit model FCFC1, which includes:
 - Thermostat
 - Damper motor
 - Fan/limit control
 - Transformer c/w wiring harness

Plenum pressure	F75R	F101
50 PA (0.20")	5 turns open	3 turns open
75 PA (0.30")	3 turns open	1 1/2 turns open
100 PA (0.40")	1 turn open	0 turns open

NOTE: OBSERVE MINIMUM CLEARANCES! If you need to reduce the rear clearance, you can cut it to half (50%) if you protect combustible surfaces with .3mm (.013") or heavier sheet metal. You must space the sheet metal out 25 mm (1") by non-combustible spacers (see CSA Installation code B366 - 1791).

ASSEMBLY

After deciding which side is best for the blower unit, remove the inlet cover on that side. Use the screws to attach the connector. The blower sits on top of the connector, oriented so that the air moves down into the wood furnace when the blower is on. Make sure that the fan pulley is 203 mm (8") in diameter.

After measuring the pressure in the hot air plenum, set the motor pulley as follows:

ELECTRICAL COMPONENTS

1. Install the damper motor using the holes provided beside the control chain.
2. Install the fan/limit control bracket using the holes provided on the centre of the front of the furnace. The fan/limit control can be installed after the hot air plenum is in place.
3. Install the junction box with the transformer on the top front corner of the furnace nearest to the blower.
4. Install the room thermostat on a wall centrally located in the home. It should be located away from the direct heat of the furnace or a hot air duct.
5. Connect the wiring as shown in Figure 6.

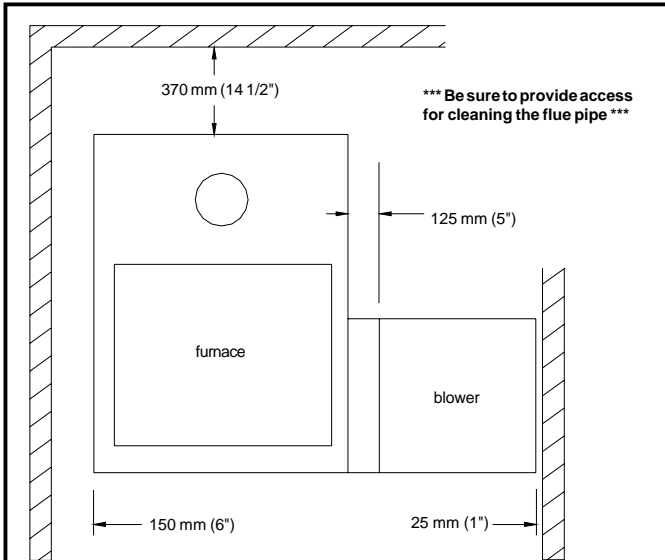


Figure 5a: Clearances

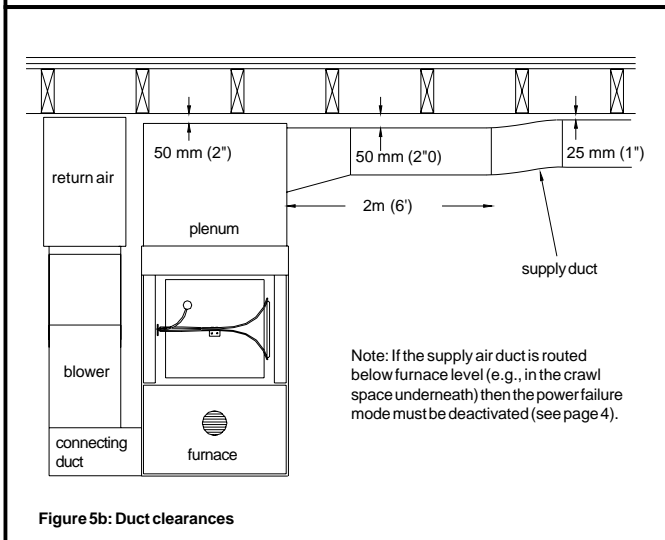


Figure 5b: Duct clearances

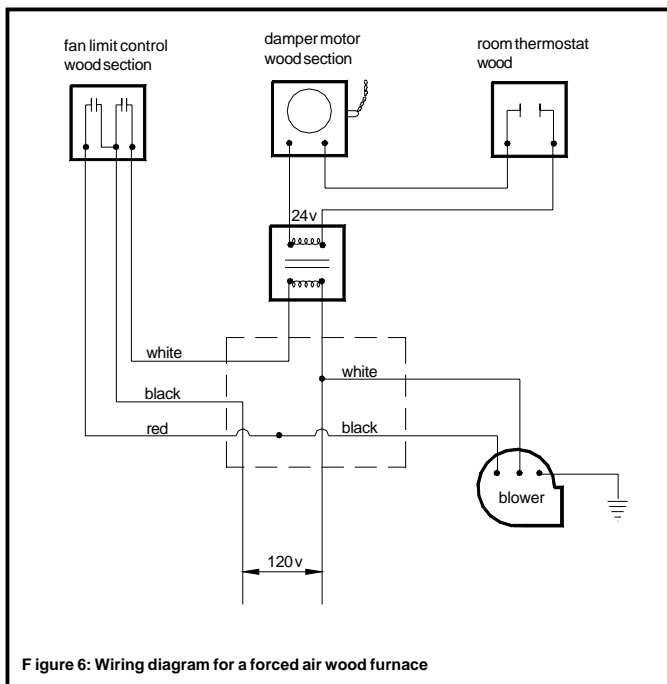


Figure 6: Wiring diagram for a forced air wood furnace

INSTALLATION AS AN ADD-ON TO AN OIL OR GAS FURNACE

Be sure that you have the following:

- Wood furnace module # F75R or F101
- Control kit model FCFC2 or FCFC3, which includes:
 - Thermostat
 - Damper motor
 - 2 fan/limit controls mounted on a bracket
 - Junction box

YOU MUST DETERMINE WHETHER THE OIL OR GAS FURNACE SIZE FALLS WITHIN THE RANGE SHOWN IN THE FOLLOWING TABLE:

Existing furnace type	O I L		G A S	
	I n p u t		O u t p u t	
F 7 5 R	243 to 3.79	litres/hr	20.0 to 27.8	Kw
	(0.65 to 1.00)	USGPH	(64,000 to 98,000)	BTU/hr
F 1 0 1	3.22 to 4.73	litres/hr	22.2 to 36.0	Kw
	(0.85 to 1.25)	USGPH	(76,000 to 123,000)	BTU/hr

The installation must be performed in series as shown: (the attachment may be made on either side)

The following checks must be carried out before making any alterations:

1. Check the size of the furnace. The furnace must match the specifications of the above table.
2. If the existing furnace is an oil furnace, then check the size of the nozzle in the oil burner (see table above).

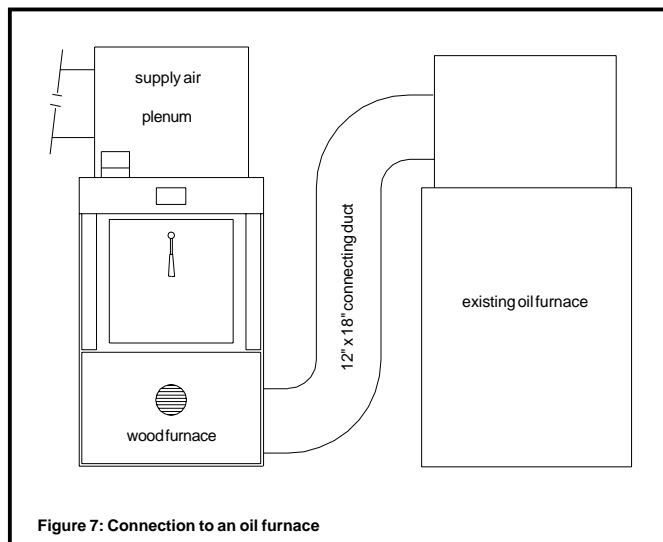


Figure 7: Connection to an oil furnace

3. Check the system air flow as follows:

- Open all of the registers and install a new filter.
- Measure the temperature rise using two thermometers. One should be placed through a hole in the hot air plenum. Run the furnace for 15 minutes then check the temperature, giving the thermometers enough time to read accurately. Record both the inlet and the outlet temperatures.

The temperature rise (outlet temperature minus the inlet temperature) should not exceed 30° C (85° F). If so, increase the blower speed so that the temperature rise is less than or equal to 30° C (85° F).

- Find the air flow by using one of the following formulas:

If you are using metric units:

$$Q = \frac{24000 \times G}{A}$$

Where: Q = air flow in cu. metres/sec
G = oil input rate in litres/sec.
A = air temperature rise, in °C

If you are using standard units:

$$Q = \frac{95000 \times G}{A}$$

Where: Q = air flow in cu. ft/min
G = oil input rate in USGPM
A = air temperature rise, in °F

- Check that the duct work and chimney are sound and that the chimney is of sufficient size (See the chimney section).

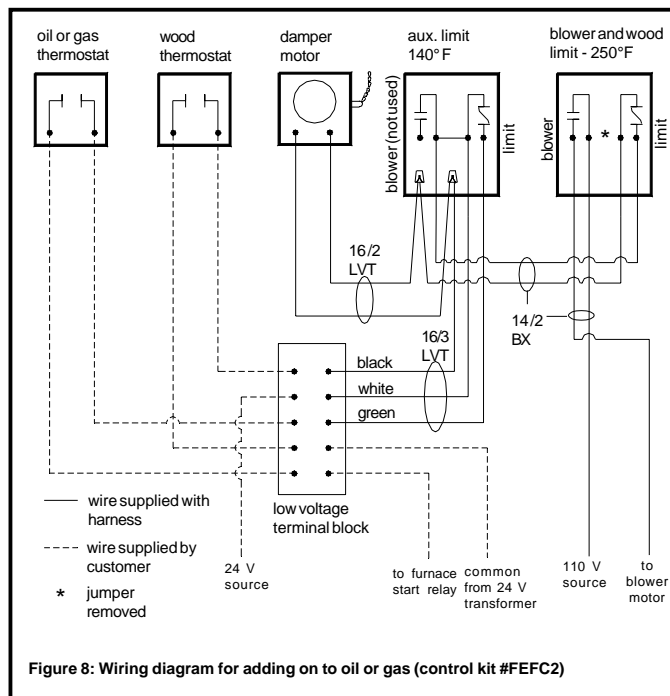
After all checks have been carried out, the wood furnace may be installed. This task must be performed by a qualified technician.

NOTE: The installation must comply with CAS Standard B365-M87 - "Installation Code For Solid Fuel Burning Appliances And Equipment."

If any changes are required on the oil furnace, these must comply with CSA Standard B139 "Installation Code for Oil Burning Equipment."

Prepare the plenums and connecting ducts:

- The connecting duct between the oil furnace and the wood furnace must be 305 mm x 460 mm (12" x 18") with elbows having a minimum inside radius of 150 mm (6").
- Do not connect duct work so that reverse flow is possible (the cold air return must not be higher than the warm air outlets).
- After the installation is complete, recheck the air flow as before. If the air flow is less than before, the blower speed must be increased to compensate for the pressure drop through the system.
- For multi-speed blower motors, use the higher speed, if needed.
- For belt-driven blowers, adjust the pulley diameter on the motor to give the extra speed required. If necessary, a larger blower motor may be used if the faster speed increases the air flow above the rating on the motor nameplate. **HOWEVER, THE BLOWER MUST NOT BE CHANGED.**
- Follow the wiring diagram precisely.



INSTALLATION AS AN ADD-ON TO AN ELECTRIC FURNACE

Be sure that you have the following:

- Wood furnace module # F75R or F101
- Control kit model FEFC3, which includes:
 - Thermostat
 - Damper motor
 - 2 fan/limit controls mounted on a bracket
 - Wiring harness with LV terminal block

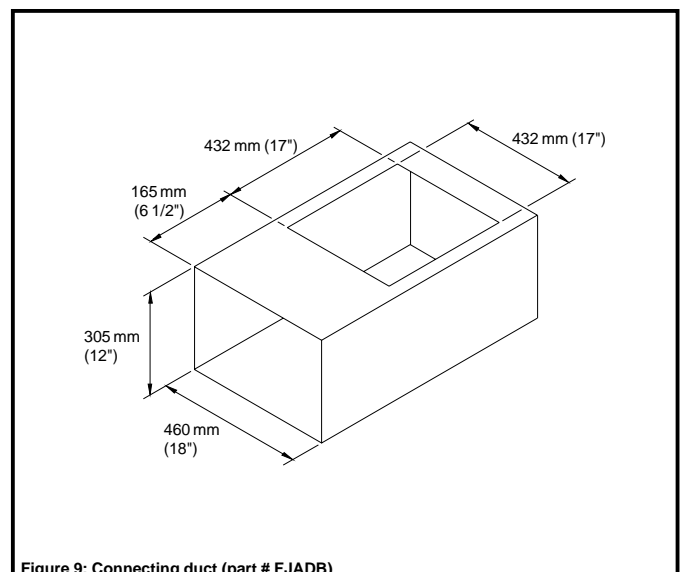
Your electric furnace blower must be large enough to keep the furnace equal to or below the following **maximum** temperature rises:

Furnace Size	Output (BTU/hr)	Max temp. rise, F75R °C (°F)	Max temp. rise, F101 °C (°F)
10 kW	34100	24° (43°)	21° (37°)
15kW	51200	36° (65°)	31° (65°)
20 kW	68200	42° (75°)	41° (73°)
25 kW	85300	42° (75°)	42° (75°)
30 kW	102400	N/A	42° (75°)
35 kW	119400	N/A	42° (75°)

WARNING: If the airflow is too low, your installation will be unsafe.

NOTE: The temperature rise must be measured between the inlet and the outlet of the electric furnace only.

If the electric furnace is certified for counter-flow operation (upside down) it should be installed according to Figure 5b. Use the connecting duct (part FCADB) in the installation. Its dimensions are shown in Figure 9.



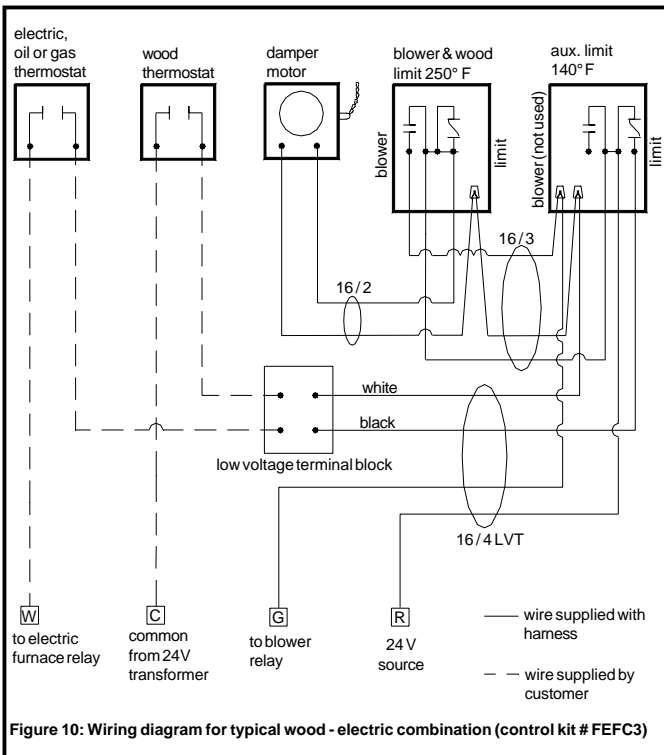


Figure 10: Wiring diagram for typical wood - electric combination (control kit # FEFC3)

FURNACE OPTIONS

WATER HEATING COIL

ARDENT Energy furnaces are designed to heat your domestic hot water during the heating season. The F75R and F101 can accept 1 or two coils (1 per side). When you install the water coil (part FCSHW4) it replaces all but one of the firebricks on the side it is located. Please read all of the instructions before you begin.

To install the water coil:

1. Remove the back shroud on the furnace by removing the screws. Using a good punch and hammer, punch out the two knockouts on the side where you would like to install the water coil.
2. Remove all of the firebrick from that side.
3. Punch out the two knockouts at the rear of the firebox.
4. Remove the baffle plate inside the rear of the firebox.
5. Position the water coil in the firebox, in the place where the firebrick was removed. The pipe must face the fire.
6. Install the ceramic gaskets and plates on the outside of the firebox (**not** on the outside of the shroud) using the provided drill and tap screws.
7. Replace the shroud.

CONNECTING THE COIL TO THE TANK

We recommend that you use the "two tank" system. The first tank or "range boiler" must remain uninsulated to dissipate any excess heat generated by the hot water coil.

When you connect the piping to the range boiler you must strictly follow the diagram in figure 11. The two shut-off valves must be no smaller than 3/4" GATE valves. Make certain that the PRV (Watts 3L) and the P&TRV (Watts 100 XL) are installed in their respective locations and not vice versa.

The maximum pressure setting is 38 kPa (150 psi). Do not use less than 3/4" diameter standard pipe between the range boiler and the furnace. The orientation of the pipe must be **slightly uphill** from the coil outlet to the upper connection at the tank. If you do not do this, vapour lock will occur, and the water will not circulate. The minimum capacity of the range boiler should be 100 litres (26 U.S. gallons).

DRAINING AND CLEANING

Cleaning should not normally be necessary unless the water tends to cause deposits. If the heating efficiency decreases noticeably, the heating coil should be inspected, and if necessary, cleaned.

1. Let the furnace cool down.
2. Close the valves between the range boiler and the coil.
3. Open the drain valves and drain the water from the coil.
4. Disconnect the coil at the unions.
5. Clean the coil using a drain cleaning "snake."
6. Connect the piping, close the drain and open the valves to the boiler.

WHEN YOU HAVE NO WATER

Do not operate your furnace with a dry water coil. The excess heat will damage the water coil. If you have no water

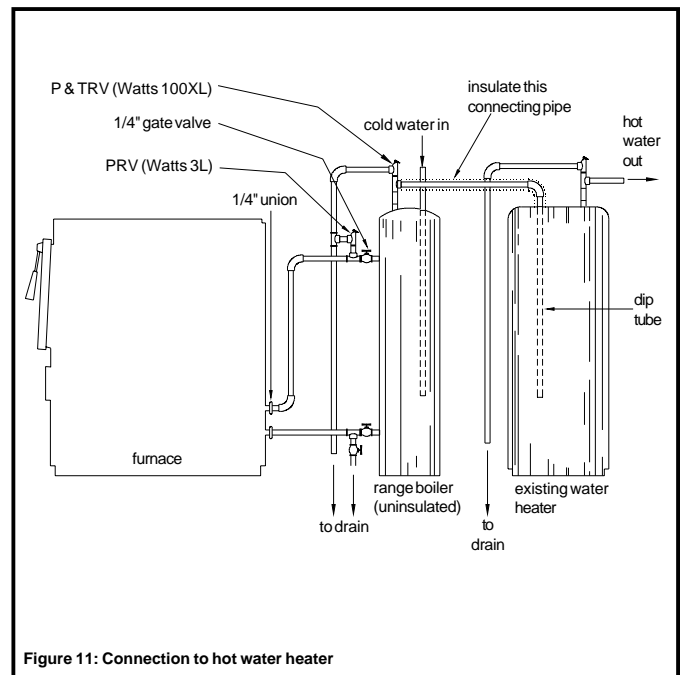


Figure 11: Connection to hot water heater

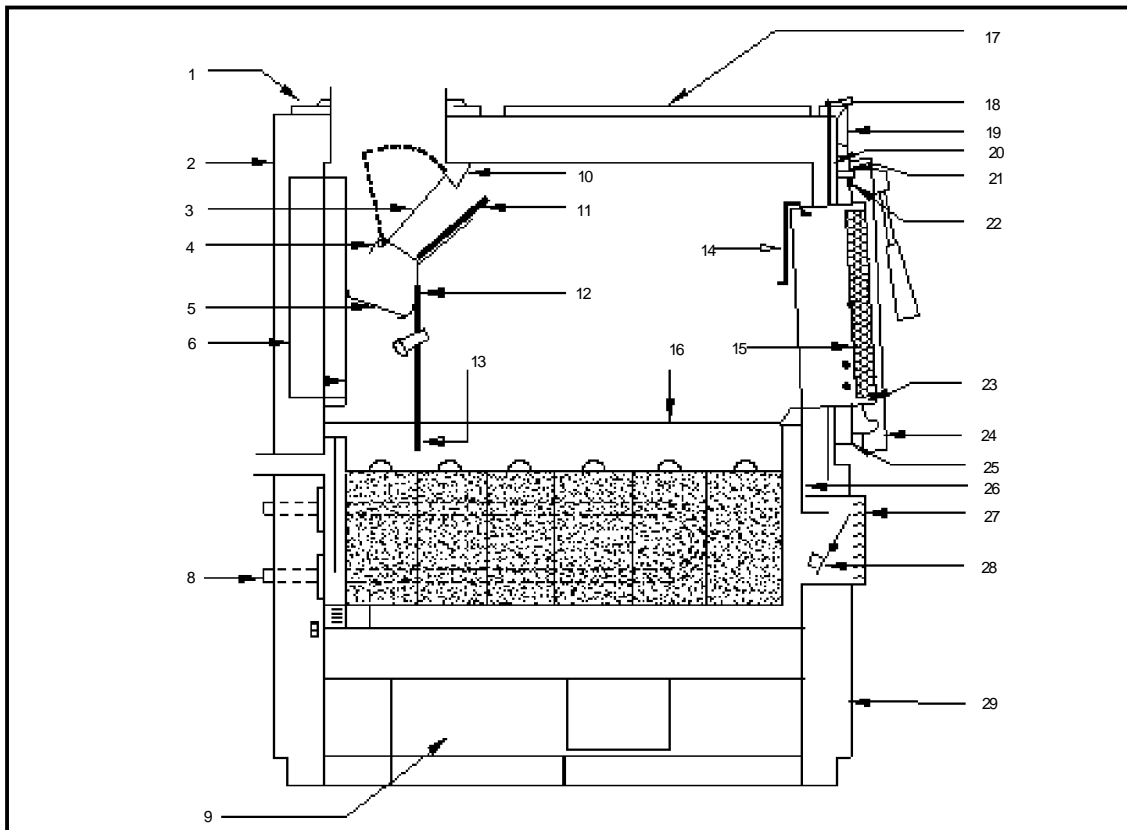
for circulation, disconnect and remove the coil. To seal the holes, use two 25 mm (1") diameter standard washers per hole, and use a 19 mm x 25 mm (3/4" x 1") bolt to hold the washers together.

PAINT

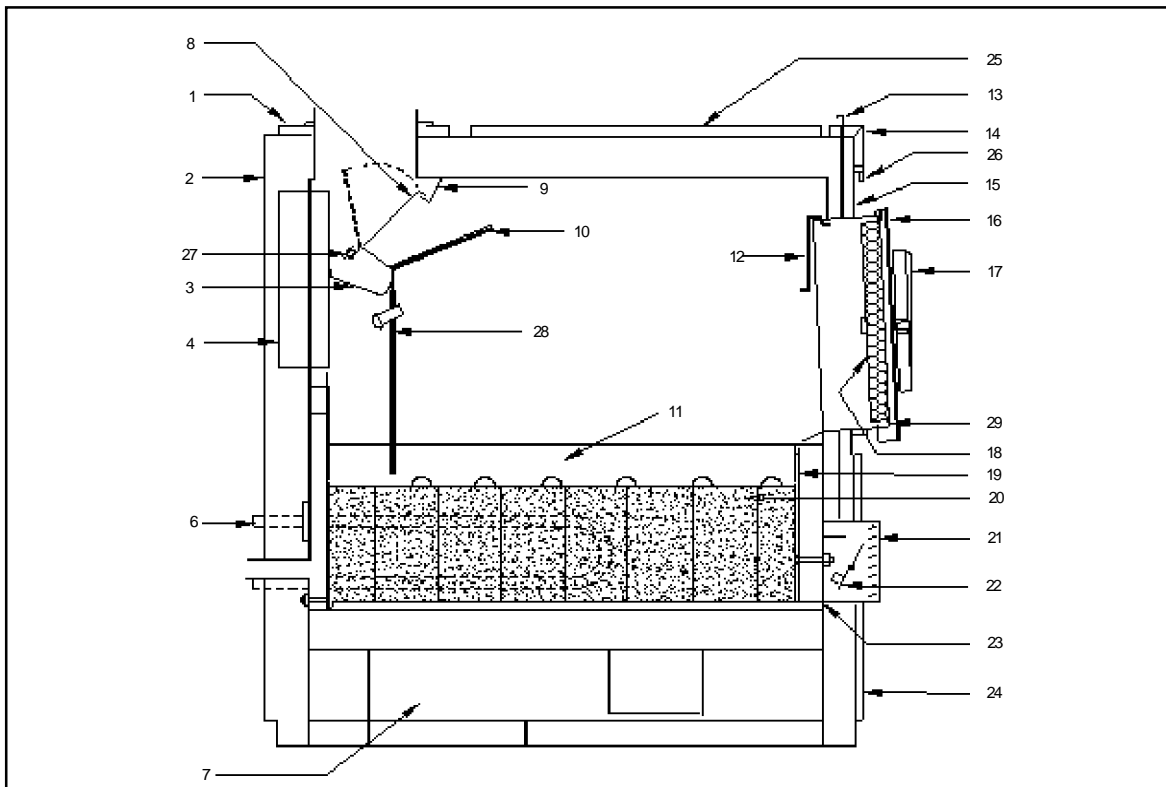
You may touch up the face of the furnace with STOVE BRIGHT Satin Black 1990 high temperature paint. The correct paint is available from your dealer. When you paint the face of the furnace, cover the area surrounding the furnace with newspaper. Follow the directions outlined on the spray can. DO NOT attempt to paint while the furnace is still warm. Keep the spray can away from any source of heat or open flame. Ensure that there is adequate ventilation in the room, from the time you start painting until the paint is dry.

F75R Replacement Parts

ITEM	QTY/UNIT	DESCRIPTION	PART#
1	1	rear top shroud	A399P
2	1	back shroud liner assy	A414W
3	1	bypass damper assy	A237W
4	1	bypass lever	A239W
5	1	flame deflector	A533
6	2	outside fin	A407
8	1	water coil (optional)	FCSHW4
9	1	side shroud door	A398
10	1	bypass assembly	A272
11	1	Scandinavian baffle	AAPO14
12	1	bypass frame bottom	A238
13	1	baffle down draft	A532
14	2	smoke shield assembly	A129W
15	1	door liner	A302
16	30"	cross draft angle assy	A725LW/RW
17	1	side shroud assy	A413W
18	1	ball chain	R6110
19	1	front top shroud (T-nut)	A400
20	2	bypass bar	A391
21	60"	door closure pawl	A309
22	1	hug lock nut	R1442
23	1 KIT	gasket replacement kit	FDGRK5
24	1	door final assembly	A317-75
25	1	front side shroud	A401
26	1	prim. air heat exchanger	A390W
27	1	air inlet cast	A913
28	1	butterfly "D" assembly	A720W
29	1	lower front shroud	A717



F101 Replacement Parts			
ITEM	QTY/UNIT	DESCRIPTION	PART#
1	1	rear top shroud	A194P
2	1	back shroud liner assy	A897W
3	1	flame deflector	A540
4	2	outside fin	A407
6	1	water coil (optional)	FCSHW4
7	1	side shroud door	A398
8	1	bypass damper assembly	A237W
9	1	bypass assembly	A186
10	1	Scandinavian baffle	AAP016
11	2	cross draft angle assy	A190W
12	1	smoke shield assembly	A079W
13	30"	ball chain	R6110
14	1	front top shroud (T-nut)	A196
15	1	side front shroud	A197
16	1	door final assembly	A195
17	1	door closer assembly	A077W
18	1	door liner	A088
19	1	prim. air heat exchanger	A188
20		firebrick	A928
21	1	air inlet cast	A913
22	1	butterfly "D" assembly	A720W
23	1	air inlet gasket	A740
24	1	lower front shroud	A708
25	2	side shroud assembly	A487W
26	1	bypass bar	A252
27	1	bypass lever assembly	A239W
28	1	baffle downdra	A542
29	1 KIT	gasket replacement kit	FDGRK5





F75R & F101 FURNACE WARRANTY

FIVE YEAR LIMITED WARRANTY

Ardent Energy Inc warrants the F75R and F101 furnaces against defects in material and workmanship for a period of five years from the date received, with the exception of items listed hereafter in the "Exclusions" section.

Ardent Energy Inc, at its option, will replace, repair or cause to be repaired any part found to be defective upon inspection by an authorized Ardent Energy Inc representative.

EXCLUSIONS

1. Repairs or replacement of part or the entire appliance necessitated by use of the furnace other than for normal home use, as directed by the instruction manual.
2. Repairs or replacements necessitated by vandalism, neglect, abuse or failure to adequately service the appliance, as stated in the instruction manual.
3. Repairs or replacements necessitated by work or service not authorized by Ardent Energy Inc equipment and accessories not manufactured by Ardent Energy are warranted only to the extent of the original manufacturer's warranty.
4. Replacement of gaskets and firebrick.
5. Repairs necessitated by excessive chimney draft.

LIMITATIONS

1. All items found to be defective will be replaced or repaired upon return of the defective part to an authorized Ardent Energy Inc dealer.
2. Any furnace or part thereof that is replaced or serviced during the five year warranty period, will be warranted under the terms of that particular limited warranty for a period not exceeding the remaining term of the original limited warranty, or six months, whichever is longer.
3. This warranty is transferable. However, proof of date of purchase is required before service or replacement of any defective part is performed.
4. This Limited Warranty does not apply to damage to the furnace or part thereof, while in transit. Any claim of such must be directed to the common carrier.
5. If the installation does not conform to local building or fire codes, or in their absence, the installation requirements in the instruction manual, any claims are not valid and will not be processed.
6. Any shipping charges incurred during a warranty claim will be borne by the furnace owner.
7. The remedies set forth herein are exclusive, and the liability of Ardent Energy Inc with respect to any contract, tort, under any warranty or otherwise shall not exceed the price of the equipment or part on which such liability is based.